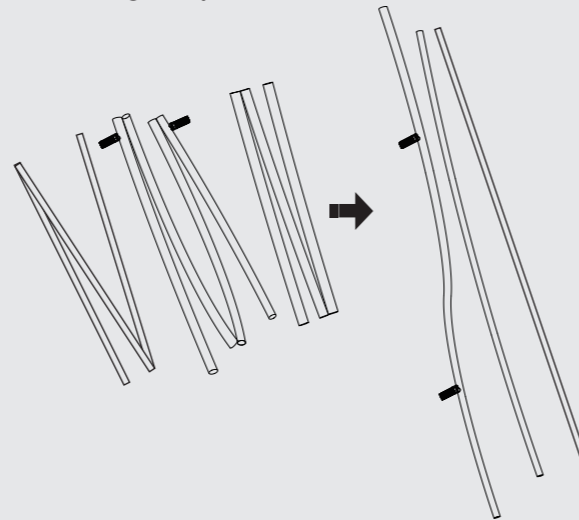


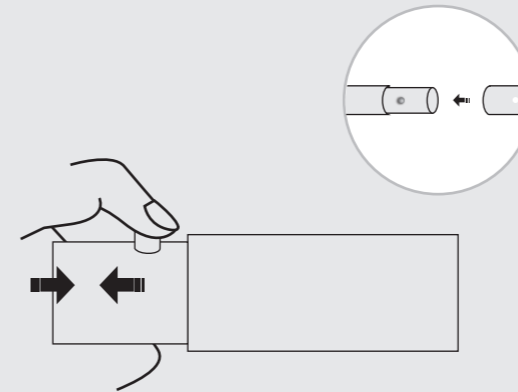
1 Open the bag and take out all the pieces.



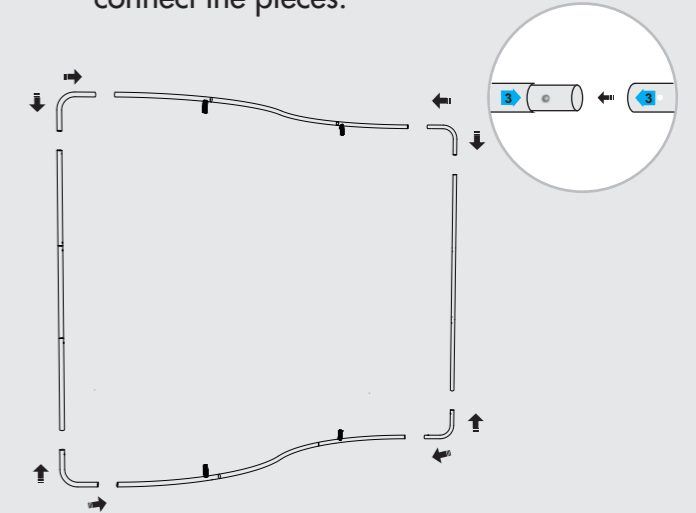
2 Straighten and assemble all the bungeed poles.



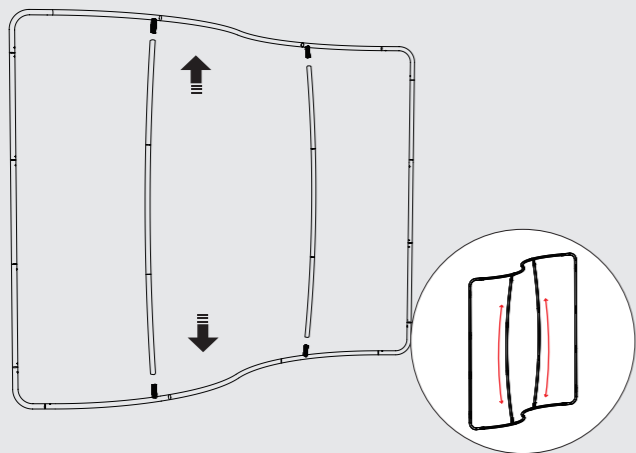
3 Lock the pieces in place with a push button snap.



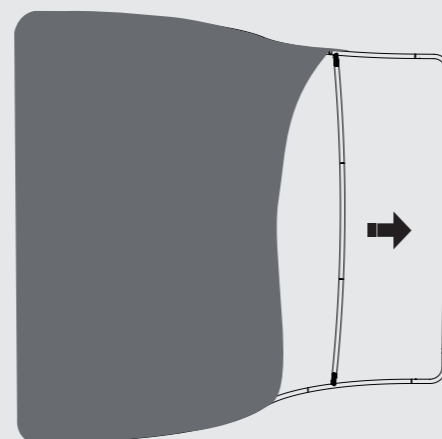
4 Match the numbers together to correctly connect the pieces.



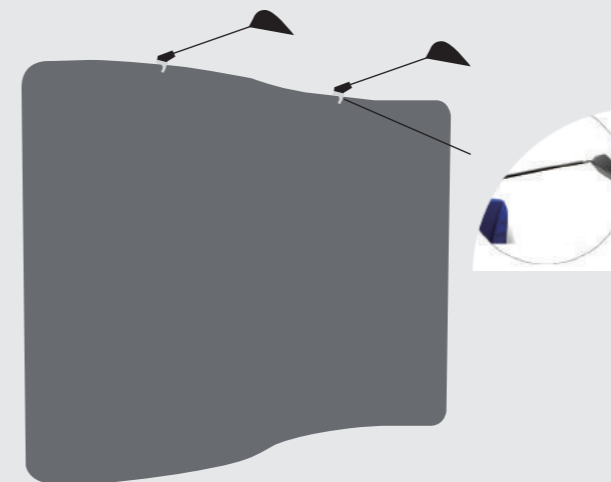
5 Once you have your frame set, connect the middle pole to the frame. The direction of support is just like the marks in red.



6 Simply pull the pillowcase-like graphic over the frame.



7 Zip up the graphic. Additional LED lights are available to make your advertisement shine.



8 There you have it.



Disassemble in the reverse order.
Caution: Make sure the graphic is folded neatly and save it in bag after using, to avoid wrinkle.

PLEASE CONTACT US IF THERE IS ANY PROBLEM.