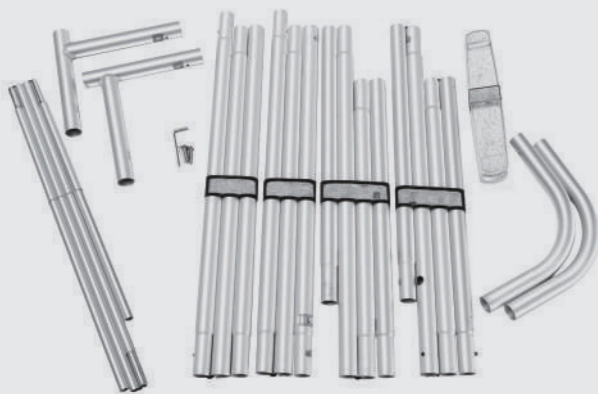
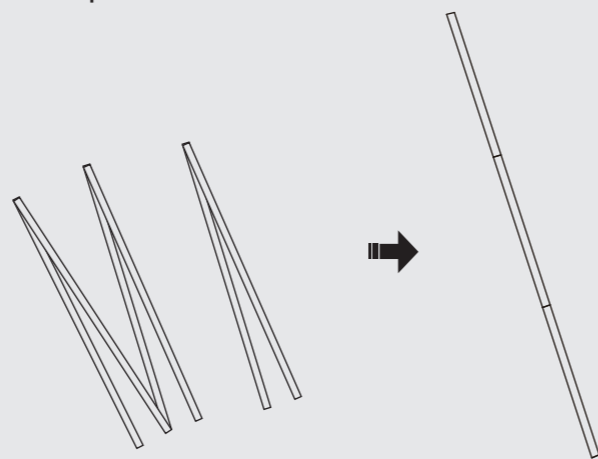


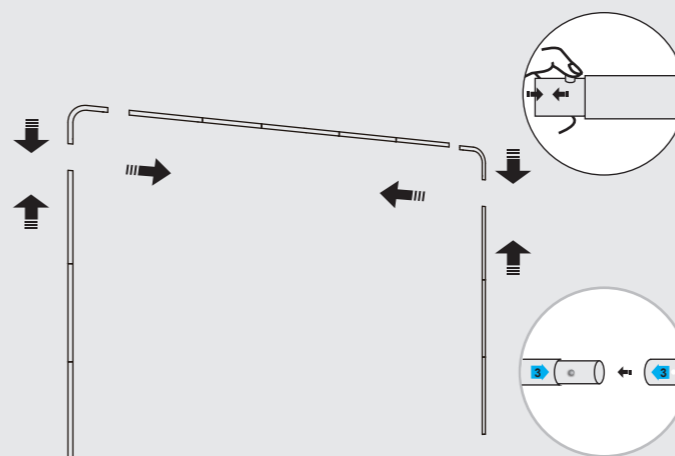
1 Open the bag and take out all the pieces.



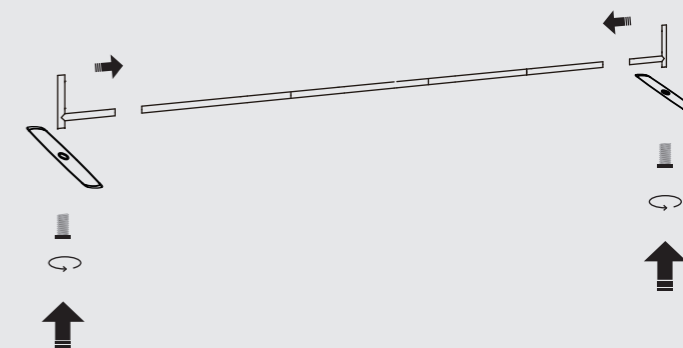
2 Straighten and assemble all the bungeed poles.



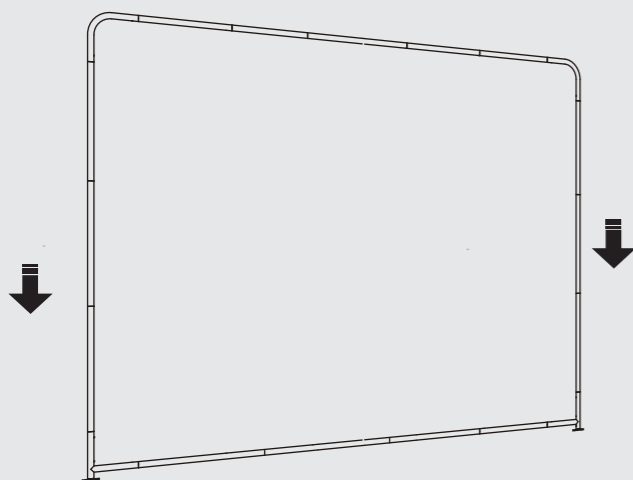
3 Match numbers together to correctly connect the bungeed poles with corners.



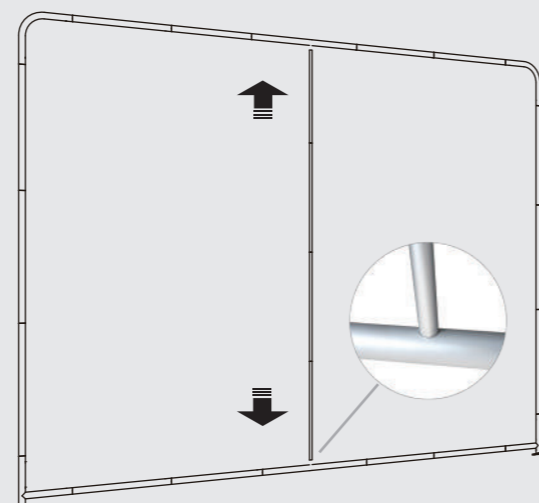
4 Connect the last straight tube with two L-shaped pieces, then fix on the feet.



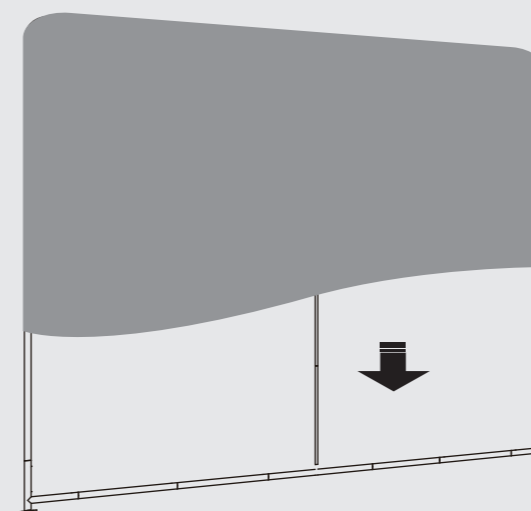
5 Connect the top part of step 3 & the bottom part of step 4.



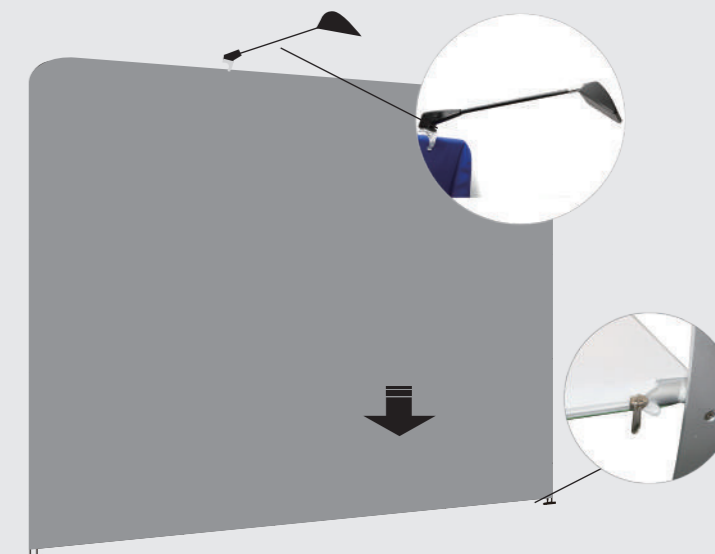
6 Once you have the frame set, insert the middle pole into the holes in the top & bottom tube.



7 Simply pull the pillowcase-like graphic over the frame.



8 Zip up the graphic. Additional LED lights are available to make your advertisement shine.



Disassemble in the reverse order.
Caution: Make sure the graphic is folded neatly and save it in bag after using, to avoid wrinkle.

PLEASE CONTACT US IF THERE IS ANY PROBLEM.