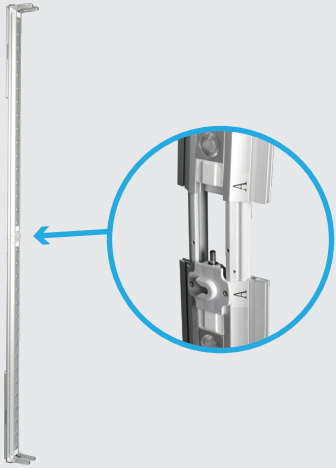


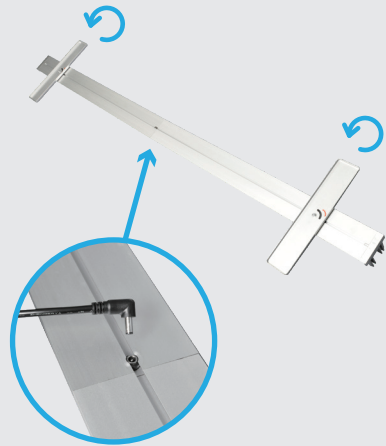
INSTRUCTION FOR INSTALLATION

A Installation of bottom part

- 1 Connect two base parts (with feet) vertically



- 2 Rotate the feet 90° and connect the cable of adapter

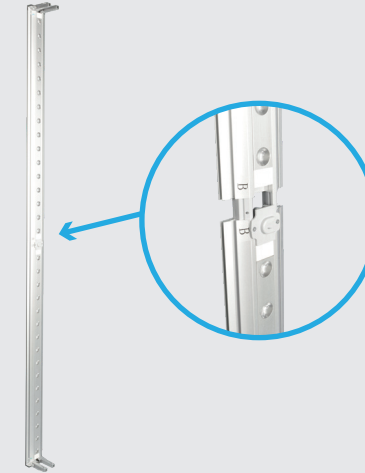


- 3 Assemble two vertical profiles with matching numbers

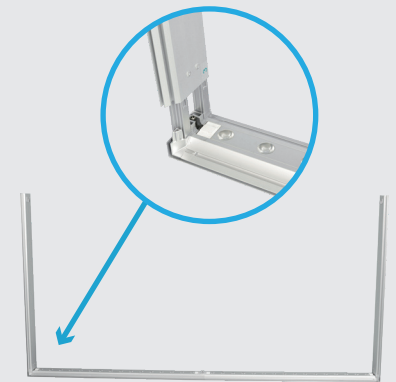


B Installation of top part

- 4 Connect two top parts vertically



- 5 Assemble rest two vertical profiles with matching numbers



- 6 Insert 3 supporting poles

PS: The "UP" marked hole in the cross has to be downward



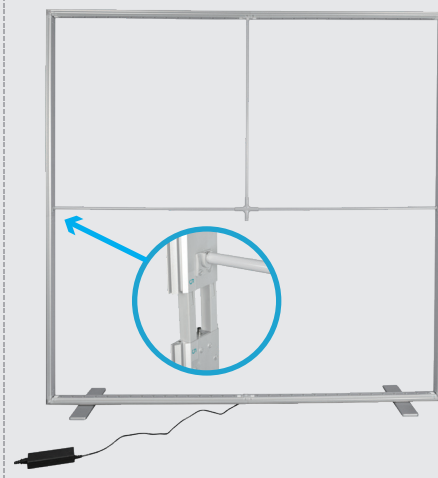
2m High Version
4 poles length is same. Can take them randomly.



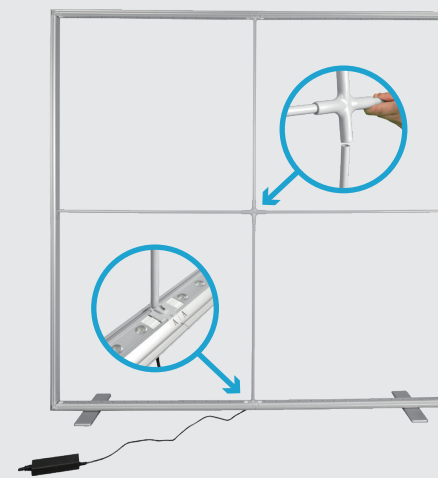
2.3m High Version
2 poles with "UP" and "DOWN" label are longer. Insert them into holes with corresponding marks on the cross.



- 7 Connect the top and bottom



- 8 Insert the last supporting pole



- 9 Put on graphics and access power supply



Disassemble in the reverse order.
Caution: Make sure the graphic is folded neatly and save it in bag after using, to avoid wrinkle.

PLEASE CONTACT US IF THERE IS ANY QUESTIONS.