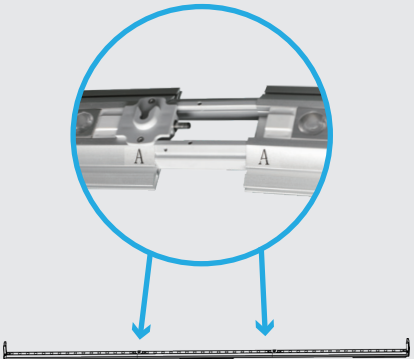


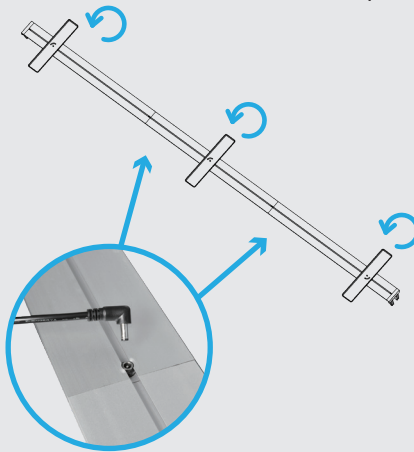
INSTRUCTION FOR INSTALLATION

A Installation of bottom part

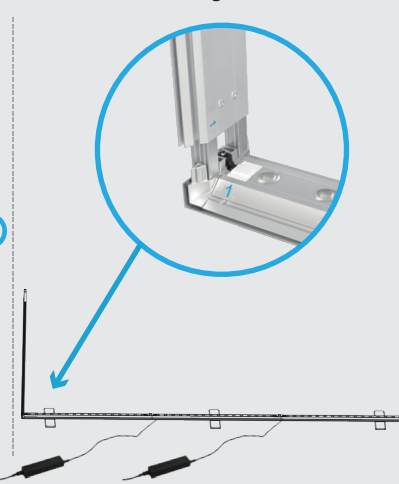
1 Connect three base parts(with feet)



2 Rotate the feet 90° and connect the cable of adapter

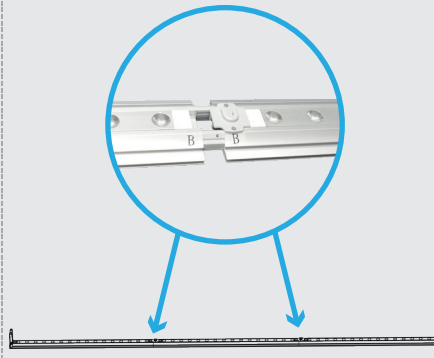


3 Assemble two vertical profiles with matching numbers

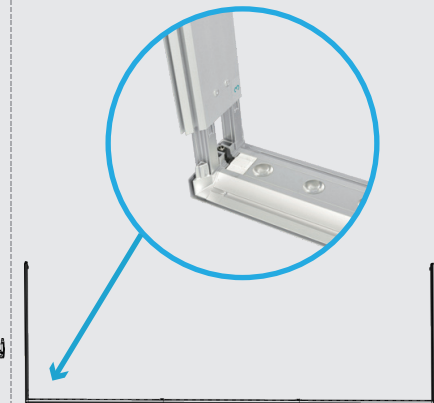


B Installation of top part

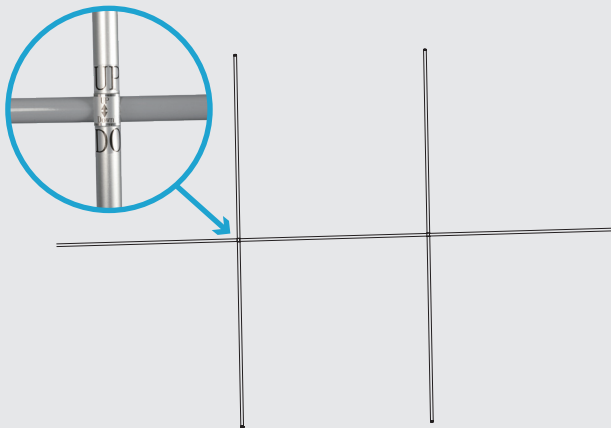
4 Connect three top parts vertically



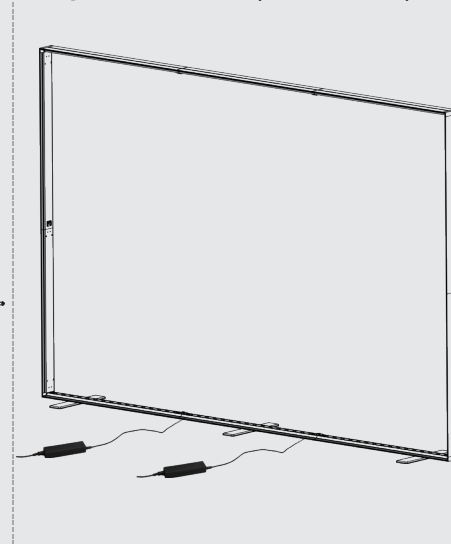
5 Assemble rest two vertical profiles with matching numbers



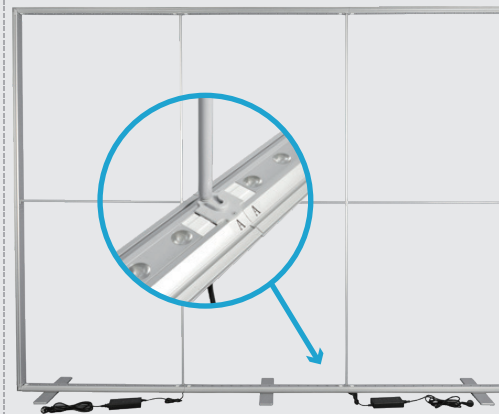
6 Assemble the supporting poles



7 Connect the top and bottom part



8 Insert the supporting poles part into the frame



9 Put on graphics and access power supply



Disassemble in the reverse order.
Caution: Make sure the graphic is folded neatly and save it in bag after using, to avoid wrinkle.

PLEASE CONTACT US IF THERE IS ANY QUESTIONS.